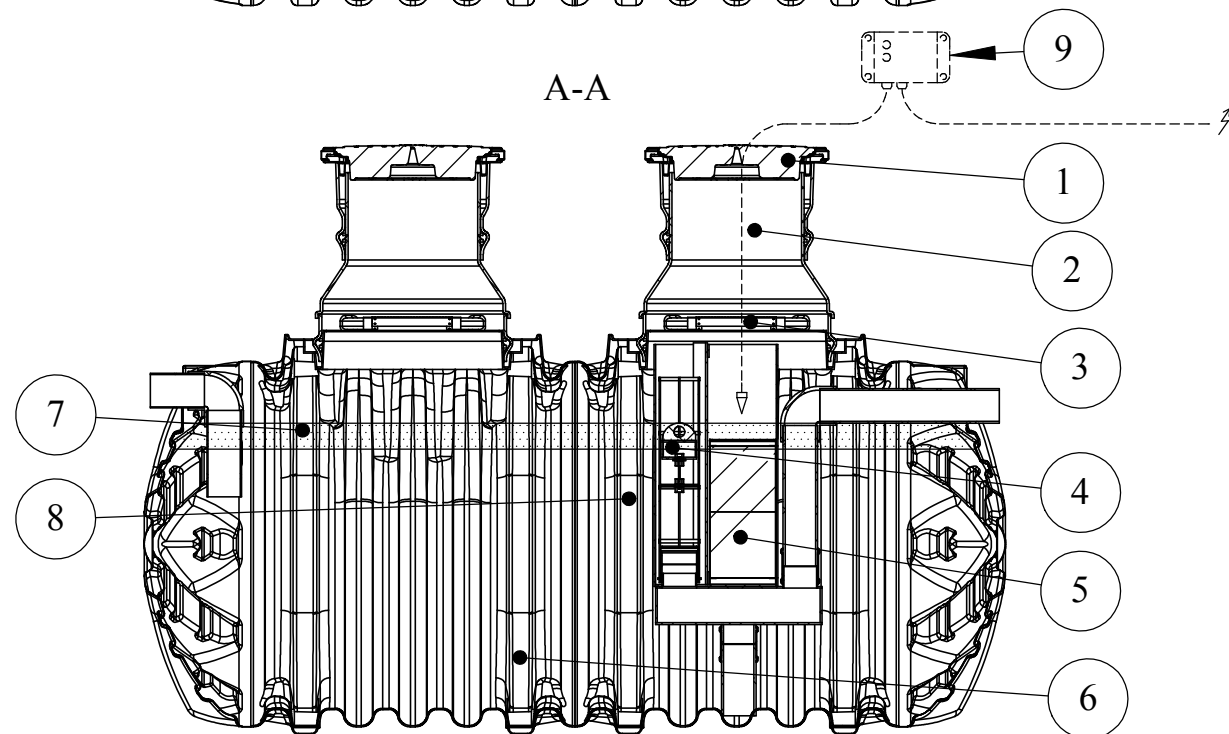


A-A



		Class	Weight
1	Cover according to standard EN124 (☒)	A35 (3,5 t) ☐	13 kg
		B125 (12,5 t) ☐	45 kg
		C250 (25 t) ☐	55 kg
		D400 (40 t) ☐	90 kg
2	Maintenance shaft (☒)	800...1000 ☐	31 kg
		1000...1250 ☐	33 kg
		1250...1500 ☐	42 kg
		1500...1750 ☐	52 kg
		1750...2000 ☐	62 kg
		2000...2250 ☐	71 kg
		2250...2500 ☐	80 kg
3	Ladder		
4	Automatic closure		
5	Coalescing modules		
6	Sludge trap	5000	
7	Oil storage capacity	260 l	
8	Effective capacity	1400 l	
9	Oil level alarm sensor (☒)	☐	
	Nominal flow rate	6 l/s	
	Total capacity	8100 l	
	Weight excluding manhole shaft/lid	500 kg	

Product	NS	Name	Oil/water separator SEPKO 6/5000	Scale	1:50
Design by	M.Skužinskas	Checked by	E.Mozūraitis	Approved by	E.Kuodis
				Construction site	
				Drawing type	Customer drawing
				Drawing no.	-
				Date	2015.09.10
				Lang.	en
				Sheet	1



UAB ENKA
 Vandziogalos g. 94 LT-47467 Kaunas,
 Lithuania
 tel. +37037377441, faks. +37037377907
 www.enka.lt, info@enka.lt